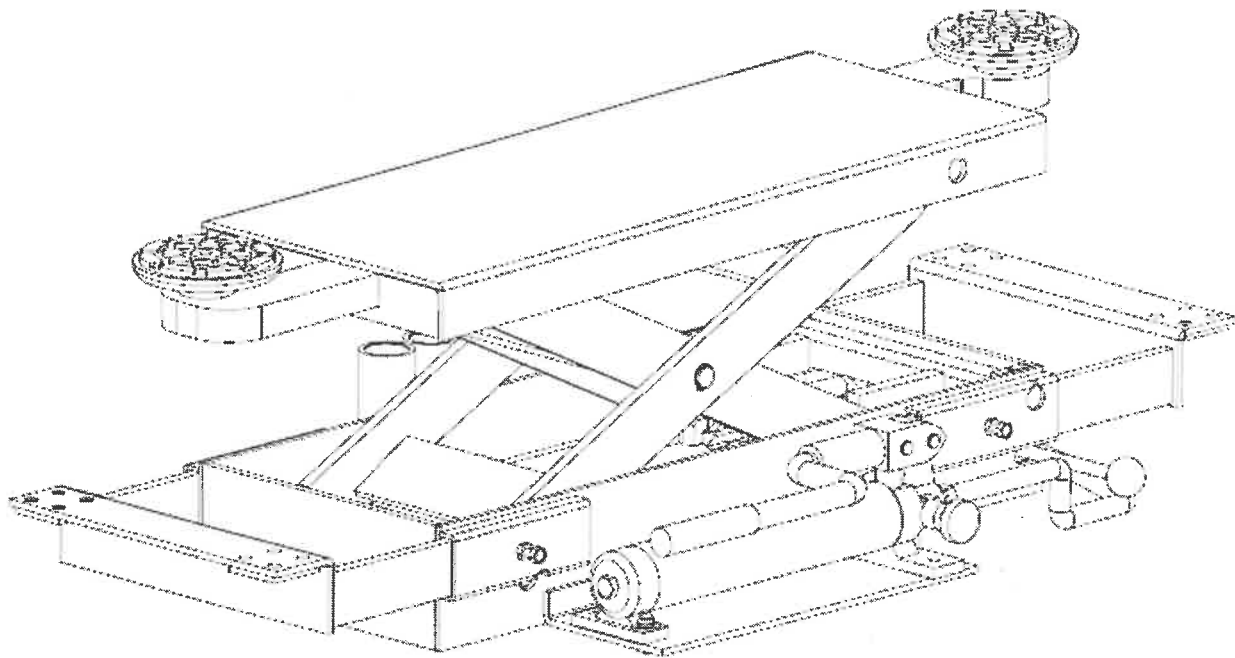


PRO JACK 3500
SLIDING BRIDGE JACK
3,500 POUND CAPACITY



INSTALLATION / OWNERS MANUAL

TABLE OF CONTENTS

• IMPORTANT INFORMATION	pg 2
• OWNER / EMPLOYER RESPONSIBILITIES	pg 3
• SAFETY PROCEDURES	pg 3
• GENERAL INFORMATION and FEATURES	pg 3
• INSTALLATION / OPERATION PROCEDURE	pg 4
• VEHICLE BALANCING OPERATION (Adjusting center of gravity of vehicle)	pg 5
• ILLUSTRATED PARTS BREAKDOWN	pg 6
• PARTS LIST	pg 7
• WARRANTY POLICY	pg 8

IMPORTANT INFORMATION

Any freight damage must be noted on the freight bill before signing and reported to the freight carrier with a freight claim established. Identify the components and check for shortages. If shortages are discovered, please contact the Distributor / Sales Rep. in your area for service.

Make sure you have extra help or heavy duty lifting equipment when unloading and installing the Sliding Bridge Jack.

Please read the safety procedures and operating instructions in this manual before operating the Jack. Keep this manual near the Jack(s) at all times. Make sure all operators read this manual.

This is a Sliding Bridge Jack installation / operation manual and no attempt is made or implied herein to instruct the user in specific methods particular to an individual application. Rather, the contents of this manual are intended as a basis for operation and maintenance of the Sliding Bridge Jack as it stands alone or as it is intended and anticipated to be used in conjunction with other equipment.

Proper application of the equipment described herein is limited to the parameters detailed in the specifications and the uses set forth in the descriptive passages. Any other proposed application of this equipment should be documented and submitted in writing to the factory for examination. The user assumes full responsibility for any equipment damage, personal injury, or alteration of the equipment described in this manual or any subsequent damages.

OWNER / EMPLOYER RESPONSIBILITIES

The Owner / Employer:

- Shall establish procedures to periodically maintain, inspect, and care for the Jack unit in accordance with the manufactures recommended procedures to ensure its continued safe operations.
- Shall provide necessary lockout / tag outs of energy sources per ANSI Z244.1 –1982 before beginning any Jack and / or Lift repairs.
- Shall not modify the Jack unit in any manner without prior written consent of the manufacturer.
- Shall insure that lift operators are instructed in the proper and safe use and operation of the Jack unit using the manufacturer's instructions.

SAFETY PROCEDURES

Total Bridge Jack unit capacity is ***3,500lbs @ 1,750 lbs per arm**. Do not exceed maximum weight capacity.

***NOTE:** Overall Jack capacity is reduced to 2,500 lbs @ 1,250 lbs per arm, if the Jack is positioned over 3 feet from either end of the lift (crossbeams).

CAUTION!

Prior to working with Jack, walk around and check for any objects that might interfere with the operation of unit such as: tools, air hoses, any shop equipment, etc.

WARNING!!

DO NOT ATTEMPT TO LIFT MORE THAN 1,000 LBS IF JACK IS PLACED NEAR THE CENTER OF LIFT (RUNWAYS)

GENERAL INFORMATION

ATTENTION: Your new Pro-Jack is shipped with the pump reservoir dry. The pump has been tested at the factory and drained for shipment. It must be filled with hydraulic fluid. We recommend using a funnel or other filler device. Using a 5mm Allen wrench, remove the filler plug on the top of the pump and add 10 weight standard hydraulic fluid to the pump reservoir. Be sure to securely reseal the plug before attempting to operate the jack. Finally, raise the jack to its full height and then let it down to bleed any air out of the lines.

Your jack is now ready for operation. See operation instructions

PRO JACK 3500

JACK SPECIFICATIONS

Capacity	*3,500 LB.
Minimum Width	29 1/2"
Minimum Width with Arms In	39 1/2"
Maximum Width with Arms Out	64 3/4"
Minimum Height with Lift Pad	3 1/2"
Lifting Pad	1 3/8"
Short Adapter	1 1/4"
Tall Adapter	5"
Raised Height without Adapter	11"
Raised Height with Small Adapter	12 1/4"
Raised Height with Large Adapter	16"
Raised Height with Small and Large Adapter	17 1/4"
Shipping Weight	350 LB.

COMPONENTS

Height Adaptors: 2ea - 1-1/4" Short adapters and 2ea - 5" Tall adapters are included with your sliding jack. Stack the adaptors beneath the regular lifting pad. Height Adaptors are easily stored on the back of the rolling jack.

TOOLS REQUIRED

- **3 mm Allen Wrench**
- **5 mm Allen Wrench**
- **Hydraulic fluid - ISO 32 Light Hydraulic Oil**

INSTALLATION PROCEDURE

After filling your pump with hydraulic oil (see page 1), set the sliding jack on the floor between the lift runways with the Pro-Park 7 in the full down position.

Step 1. Using a 3 mm Allen Wrench, loosen the four set-screws on the adjustable arms of the Pro-Jack.

Step 2. Pull the two adjustable arms out fully until the wear-block sits on top of the runways. **CAUTION:** never try to rest them on the lower lip of the runway. This is not a weight bearing surface.

Step 3. Using the 3 mm Allen wrench, tighten the four set-screws. Make sure the sliding jack will slide freely forward and back on the runways.

Caution: **DO NOT** grease the wear block, lift or jack. If the sliding jack does not slide freely when mounted on the runways without weight on it, review these assembly instructions and repeat the assembly. Lubrication could produce a hazardous lifting condition.

OPERATION PROCEDURE

Before attempting to lift a vehicle, read these instructions thoroughly and consult your auto manufacturer's owners manual for the location of the correct lifting points for your make and model of the vehicle.

ATTENTION: The Pro-Jack Sliding Jack has two (2) mechanical safety locking positions above full rest. An appropriate selection of lift adapters and vehicle lift points will dictate how much pumping is required to reach the desired lift height to perform your vehicle maintenance. As a rule of thumb: use the lowest lift point available on your vehicle and/or the tallest combination of adapters.

WARNINGS: Failure to follow these safety guidelines could result in a hazardous condition and void your warranty.

1. Never attempt to lift any vehicle that exceeds the load ratings for this jack. See page 2 for the weight capacity.
2. Never attempt to lift a vehicle at any point except at an approved lift point.
3. Always engage the jack's safety locks when you have a load on the jack.
4. Never use this jack other than as described in the operating steps. Always discontinue any lift operation if you notice an unsafe condition, fluid leaking, improper function of the sliding jack, or excessive flexing of the runways.

After locating proper lift points on your vehicle, add any adapters necessary, to raise the pad close to the frame.

Tighten the knob (turning clockwise) on the pump at the right side of the jack.

To raise the jack and lift the vehicle, pump the handle on the front of the jack. Pump the handle until you hear the lock mechanism click into place. If you have reached an appropriate lifting height for the job you wish to perform, turn the knob counterclockwise to release the hydraulic pressure on the jack. The lift will now be resting on its mechanical lock.

If, after reaching the first locking position, the jack has not lifted your vehicle high enough, you may continue pumping the jack handle to reach the second locking position. Once you have engaged the second lock, release the hydraulic pressure as described above to settle the lock on its mechanical lock. If you still have not reached the desired height, you may need to add one or more adapters or use a lower lift point on your vehicle.

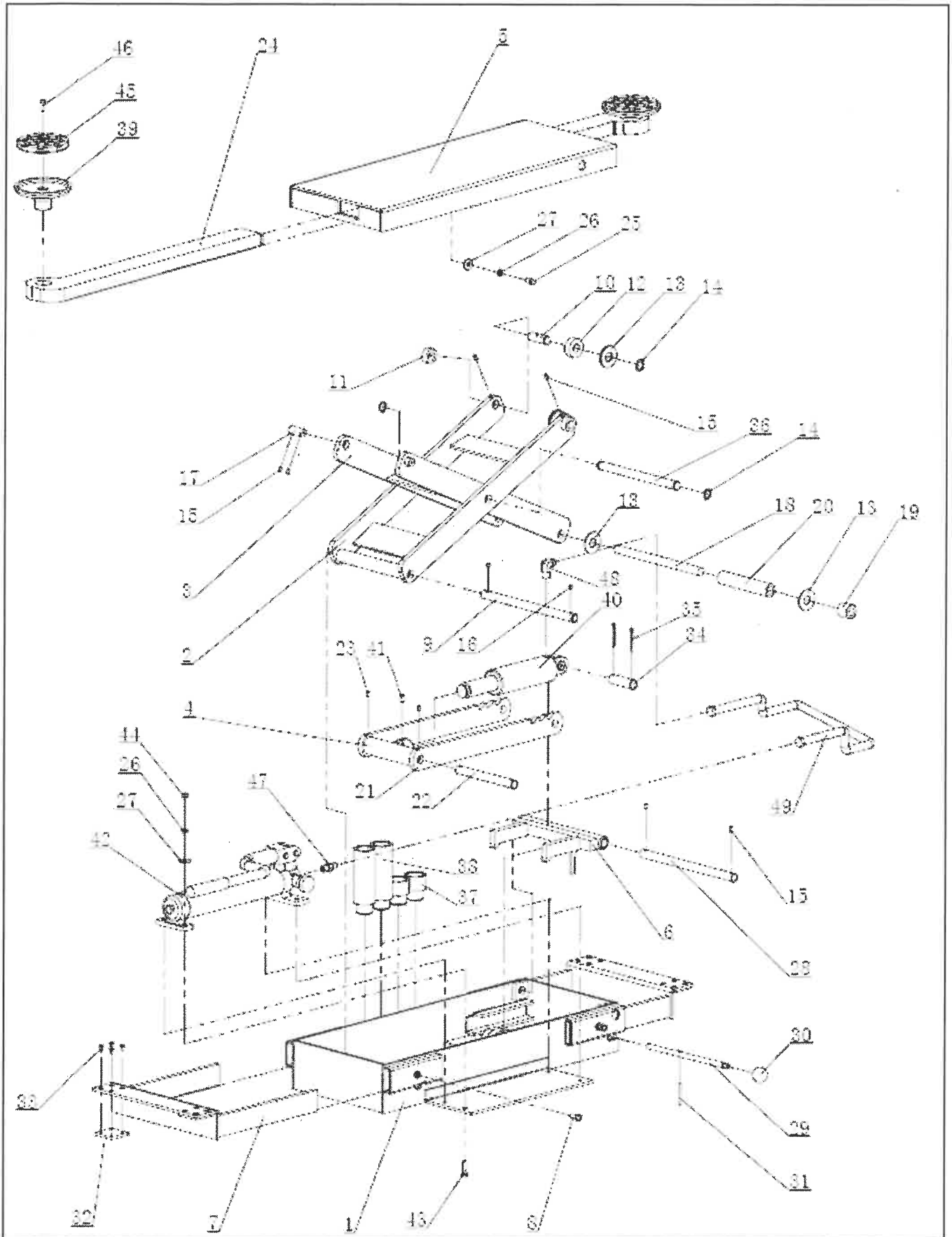
To remove the load from the mechanical lock, tighten the knob clockwise and then pump the lift off the lock. Push the lock control handle to the right, turn the knob counterclockwise to lower the jack into its rest position.

Remove the adapters, if used, and replace them in their storage position on the back of the sliding jack

PREVENTIVE MAINTENANCE SCHEDULE

TROUBLESHOOTING

ILLUSTRATED PARTS BREAKDOWN



RJ-35 PARTS LIST

Item #	Part Number	Description	Qty
1	RJ35-1000	Bottom Tray	1
2	RJ35-2100	Outer Scissor	1
3	RJ35-3100	Inner Scissor	1
4	RJ35-4002	Shaft Tray	1
5	RJ35-5100	Top Cover	1
6	RJ35-6100	Latch, Weldment	1
7	RJ35-7100	Roller Structure	2
8	B10-8×20	M8×20 Bolt	4
9	RJ35-2001	Long Shaft	1
10	RJ35-2002	Roller Shaft	2
11	RJ35-2003	Rollers A	2
12	RJ35-2004	Rollers B	2
13	B41-20	φ20 Flat Washer	4
14	B60-19	φ19 Snap Ring	4
15	B22-6×12	M6×12 Screw	8
16	B22-6×8	M6×8 Screw	2
17	RJ35-3001	Short Shaft	2
18	RJ35-3002	Roller Shaft	1
19	RJ35-3003	Rollers	2
20	RJ35-3004	Spacer	1
21	RJ35-4001	Pushing Weldment	2
22	RJ35-4003	Shaft	1
23	B22-6×16	M6×16 Screw	2
24	RJ35-5200	Arm	2
25	B10-8×16	M8×16 Screw	2
26	B40-8	φ8 Lock Washer	6
27	B41-8	φ8 Flat Washer	6
28	RJ35-6001	Shaft	1
29	RJ35-6002	Shaft	1
30	B84-35	φ35×M10 Plastic Ball	1
31	B51-5×50	φ5×50 Lock Pin	1
32	RJ35-7001	Nylon Pad	4
33	B29-5×10	M5×10 Screw	16
34	RJ35-0001	Shaft, Cylinder	1
35	B52-4×45	φ4×45 Cotter Pin	2
36	RJ35-0002	Shaft, Scissor	1
37	30400-6014A	Adapter A	2
38	30400-6015A	Adapter' A	2
39	30400-6005-2	Swivel Lifting Pads	2
40	YG20-9100	Cylinder	1
41	B21-8×16	M8×16 Screw	1
42	SP03-9100	Air/Hydraulic Pump	1

-30400-6005-1
 Assembly
 base / part

43	B10-8×30	M8×30 Bolt	4
44	B30-8	M8 Nut	4
45	PV-6003	Rubber Pad	2
46	B20-6×20	M6×20 Screw	2
47	SP03-9111	Fitting	1
48	H4D-Y004	Fitting, Elbow	1
49	1WB-15	Hydraulic Hose	1

WARRANTY POLICY

- **Two Post / Four Post, Vehicle and Specialty Lifts** weight capacity models **7,000lb thru 14,000lb** are warranted for **(5)** years on structural components and **(2)** years on hydraulic power units and cylinders from invoice date.
- **Low Rise and Mid Rise Lifts** weight capacity models **6,000lb** are warranted for **(2)** years on structural components and **(2)** years on hydraulic power units and cylinders from invoice date.
- **Rotisserie units, Motor Cycle Lifts, Jacks, Lift Accessories, Jack Stands and Lift Kits, etc.** are warranted for **(1)** year on structural components and **(1)** year on air / hydraulic power units, pneumatic cylinders and components from invoice date.

NOTE: ALL WARRANTY CLAIMS MUST BE PRE-APPROVED BY THE MANUFACTURER TO BE VALID.

The Manufacturer shall repair or replace at their option for this period those parts returned to the factory freight prepaid, which prove after inspection to be defective. This warranty will not apply unless the product is installed, used and maintained in accordance with the Manufacturers installation, operation and maintenance instructions.

This warranty applies to the **ORIGINAL** purchaser only, and is non-transferable. The warranty covers the products to be free of defects in material and workmanship but, does not cover normal maintenance or adjustments, damage or malfunction caused by: improper handling, installation, abuse, misuse, negligence, carelessness of operation or normal wear and tear. In addition, this warranty does not cover equipment when repairs or alterations have been made or attempted to the Manufacturer's products.

THIS WARRANTY IS EXCLUSIVE AND IS LIEU OF ALL OTHER WARRANTIES EXPRESSED OR IMPLIED INCLUDING ANY IMPLIED WARRANTY OR MERCHANTABILITY OR ANY IMPLIED WARRANTY OF FITNESS FROM A PARTICULAR PURPOSE, AND ALL SUCH IMPLIED WARRANTIES ARE EXPRESSLY EXCLUDED.

THE REMEDIES DESCRIBED ARE EXCLUSIVE AND IN NO EVENT SHALL THE MANUFACTURER, NOR ANY SALES AGENT OR OTHER COMPANY AFFILIATED WITH IT OR THEM, BE LIABLE FOR SPECIAL CONSEQUENTIAL OR INCIDENTAL DAMAGES FOR THE BREACH OF OR DELAY IN PERFORMANCE OF THIS WARRANTY. THIS INCLUDES, BUT IS NOT LIMITED TO, LOSS OF PROFIT, RENTAL OR SUBSTITUTE EQUIPMENT OR OTHER COMMERCIAL LOSS.

This warranty shall be governed by the laws of the State of Texas, and shall be subject to the exclusive jurisdiction of the Court in the State of Texas in the County of Tarrant.

PRICES: Prices and specifications are subject to change without notice. All orders will be invoiced at prices prevailing at time of shipment. Prices do not include any local, state or federal taxes.

RETURNS: Products may not be returned without written approval from the Manufacturer.

DUE TO THE COMPETITIVENESS OF THE SELLING PRICE OF THESE LIFTS, THIS WARRANTY POLICY WILL BE STRICTLY ADMINISTERED AND ADHERED TO.